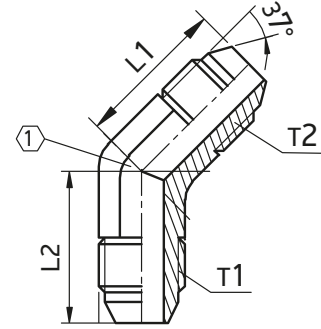


UNF Dirsek 45°

Male 45° Adapters - UNF/UNF



Kod Part Number	Diş Ölçüsü Thread		Boyut Ölçüleri (mm) Dimensions in (mm)			
	T1	T2	L1	L2	①	PN Bar
HR371-4-4	7/16"-20	7/16"-20	18	18	17	350
HR371-5-5	1/2"-20	1/2"-20	20	20	17	350
HR371-6-6	9/16"-18	9/16"-18	21	21	17	350
HR371-7-7	5/8"-18	5/8"-18	23	23	17	350
HR371-8-8	3/4"-16	3/4"-16	25	25	19	350
HR371-10-10	7/8"-14	7/8"-14	28	28	24	350
HR371-12-12	1"1/16-12	1"1/16-12	33	33	27	350
HR371-16-16	1"5/16-12	1"5/16-12	37	37	36	315
HR371-20-20	1"5/8-12	1"5/8-12	40	40	41	315
HR371-24-24	1"7/8-12	1"7/8-12	45	45	50	315