

2 Konumlu 3 Konumlu

G series Manually Valve/Mechanical Valve



Sipariş Şekli

G	322A	06	R
Seri	Fonksiyon 32 : 2 Positions/3Ports 52 : 2 Positions/5Ports	Bağlantı Şekli 06 : G1/8	Buton Tipi İşaret yok: Elle R: Makara

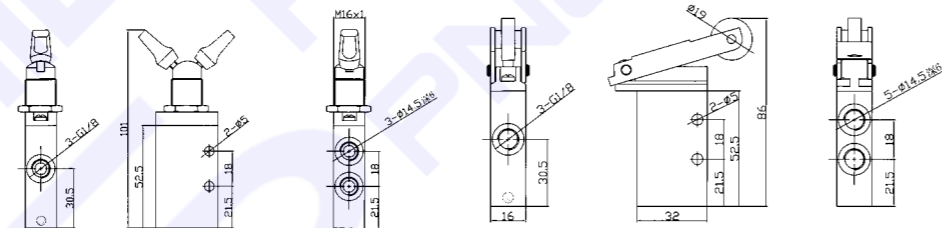
Technical Parameter

İtem Kod	Konum	Ölçüler	Diameter (mm)	Çalışma Aralığı Medium	Basınç Aralığı	Operating Method	Yağlama	Medium Sıcaklık
G322A-06	2 Pozisyon/ 3 Port	G1/8	6	Basıncılı Hava Asal Gaz	0 ~ 1.0MPa	Elle	Gerek Yok	-5 ~ 60°C
G322A-06R		G1/8	6			Makaralı		
G522A-06	2 Pozisyon/ 5 Port	G1/8	6			Elle		
G522A-06R		G1/8	6			Makaralı		

2 Positions/3 Ports Manually Valve/Mechanical Valve



Figure Dimension

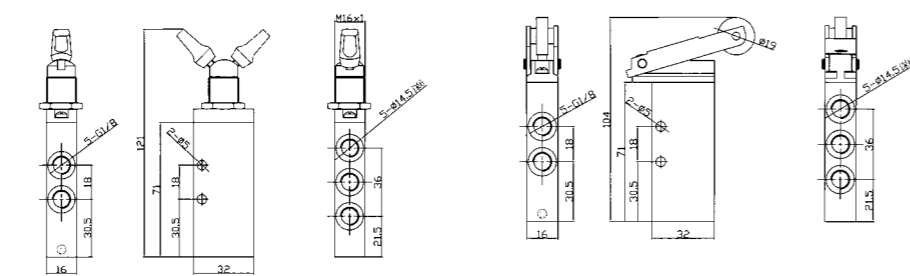


● G322A-06 ● G322A-06R

2 Positions/5 Ports Manually Valve/Mechanical Valve



Figure Dimension



● G522A-06 ● G522A-06R



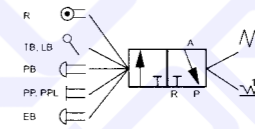
Technical Parameter

Özellikler	G321R, PP, PPL, PB, EB, TB, LB
Applicable Medium	Hava
Basınç Aralığı	0 ~ 1.0MPa
Control Method	Mechanical Control, Manually Control
Yağlama	Gerek Yok
Medium Temperature	-5 ~ 60°C
The Button s Standard Color	black : LB red : PP, PPL, PB, EB, TB
The Button s Color Available	green, black : PP, PPL, PB, EB

Sipariş Kodu

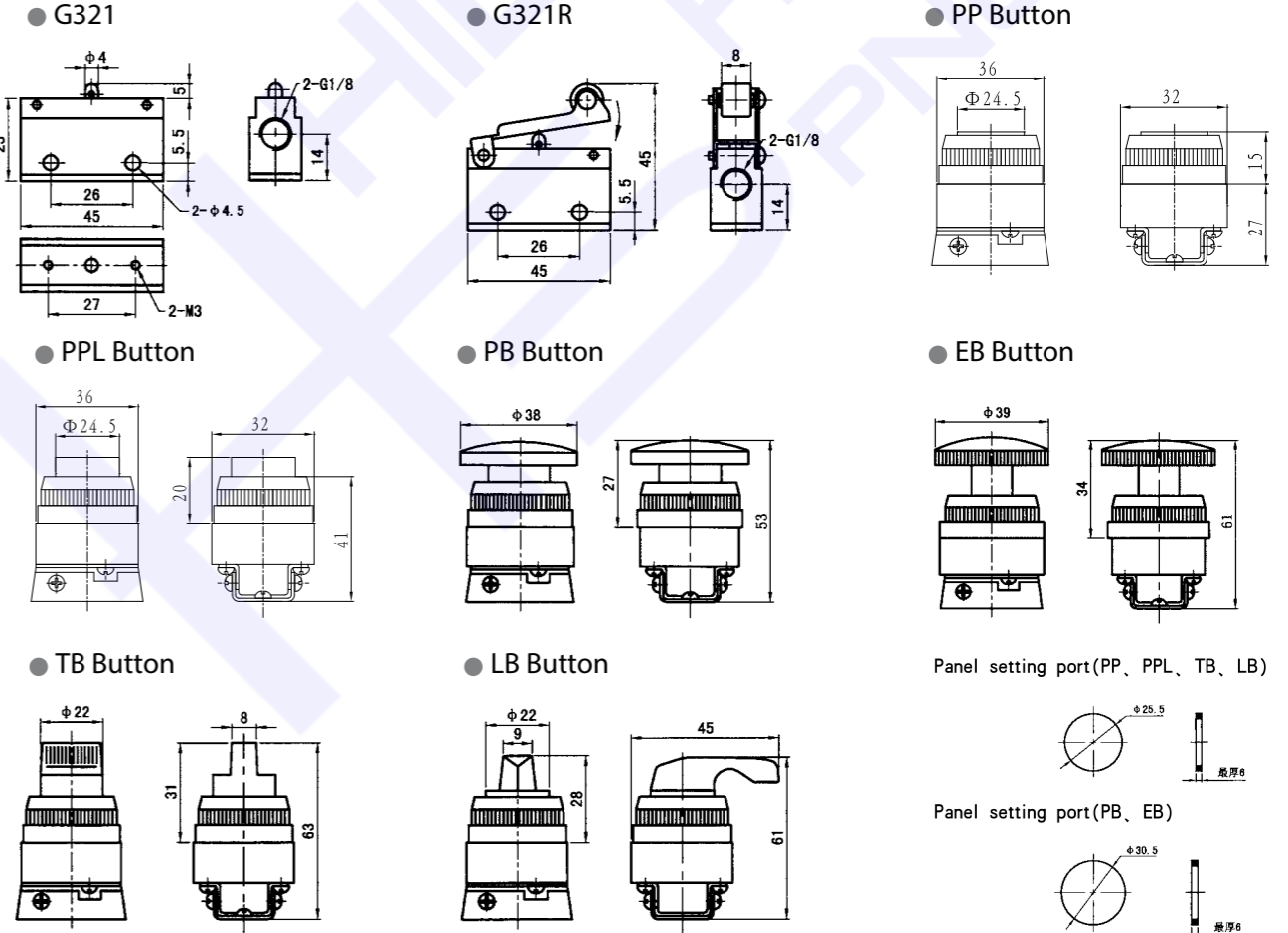
G	32	1	R
Seri	Fonksiyon 32 : 2 Positions/3Ports	Bağlantı 1 : G1/8	Buton Tipi İşaretsiz: Standart Tip R: Makaralı

Graphics Sign



PP: Düz Buton
PPL: Çıkık Buton
PB: Mantar Buton
EB: Çıkık Mantar Buton
TB: Çevirmeli
LB: Uzun Çevirmeli

Figure Dimension



2 Konumlu 3 Yollu

2 Positions/3 Ports Mechanical Valve

2 Konumlu 5 Yollu

2 Positions/5 Ports Mechanical Valve



● G322 ● G322R ● G322PP ● G322PPL ● G322PB ● G322EB ● G322TB ● G322LB

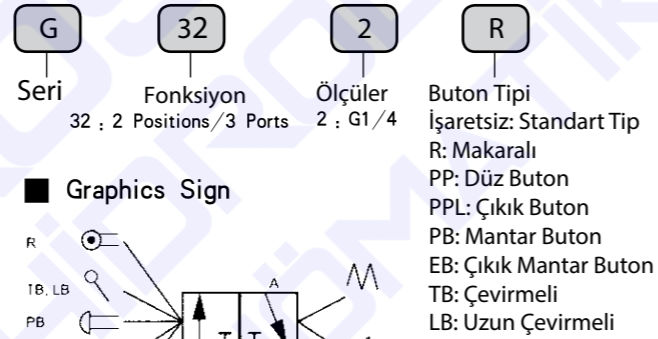


● G522 ● G522R ● G522PP ● G522PPL ● G522PB ● G522EB ● G522TB ● G522LB

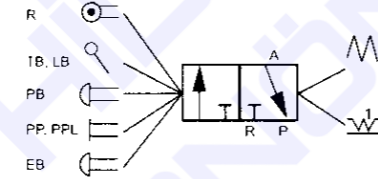
Technical Parameter

Özellikler	G322R, PP, PPL, PB, EB, TB, LB
Applicable Medium	Hava
Basınç Aralığı	0 ~ 1.0MPa
Control Method	Mechanical Control, Manually Control
Yağlama	Gerek Yok
Medium Temperature	-5 ~ 60°C
The Button s Standard Color	black : LB red : PP, PPL, PB, EB, TB
The Button s Color Available	green, black : PP, PPL, PB, TB

Sipariş Kodu



Graphics Sign



Technical Parameter

Özellikler	G522R, PP, PPL, PB, EB, TB, LB
Applicable Medium	Hava
Basınç Aralığı	0 ~ 1.0MPa
Control Method	Mechanical Control, Manually Control
Yağlama	Gerek Yok
Medium Temperature	-5 ~ 60°C
The Button s Standard Color	black : LB red : PP, PPL, PB, EB, TB
The Button s Color Available	green, black : PP, PPL, PB, TB

Sipariş Kodu

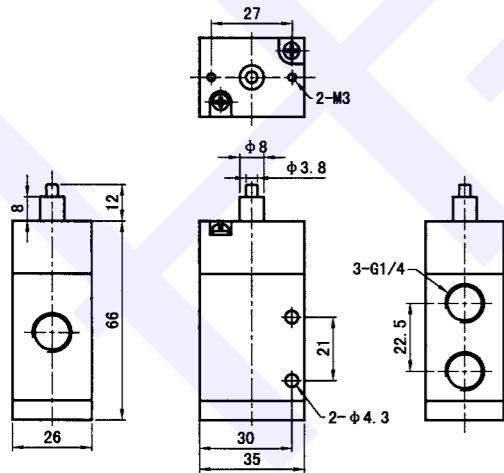


Graphics Sign

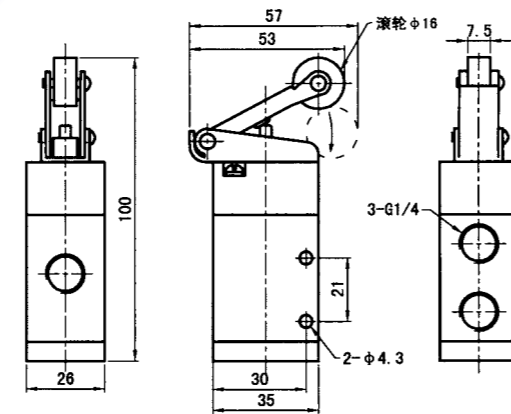


Figure Dimension

G322



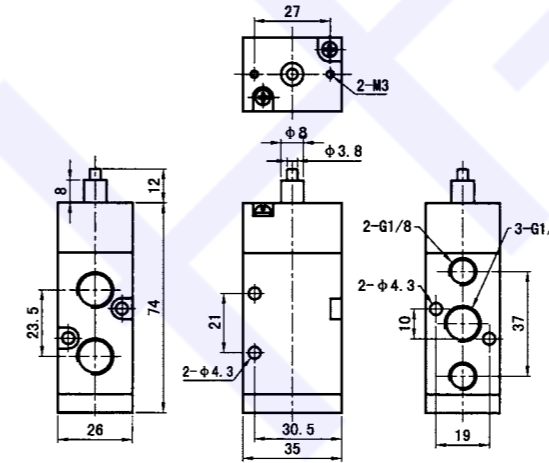
G322R



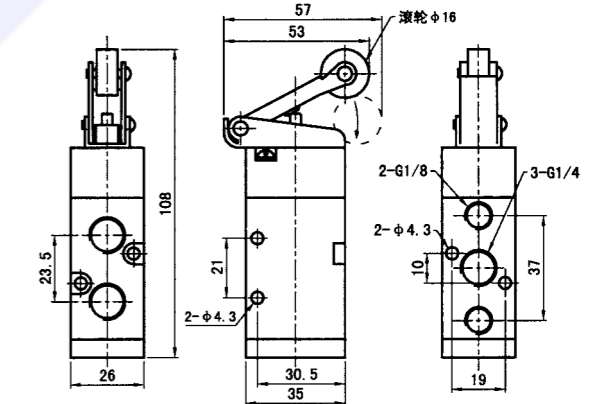
(Note : the push button types of G322 are the same as G321' s)

Figure Dimension

G522



G522R



(Note : the push button types of G522 are the same as G321' s)